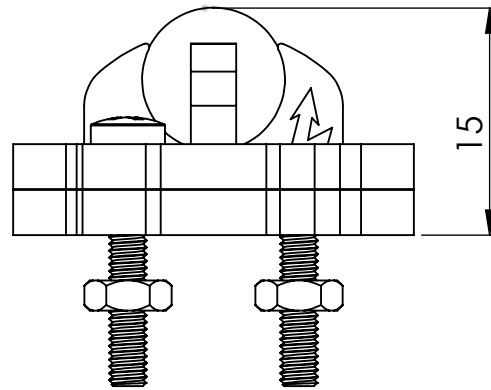
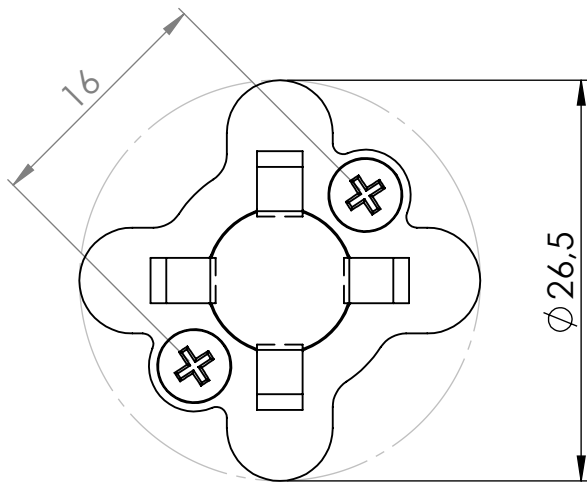


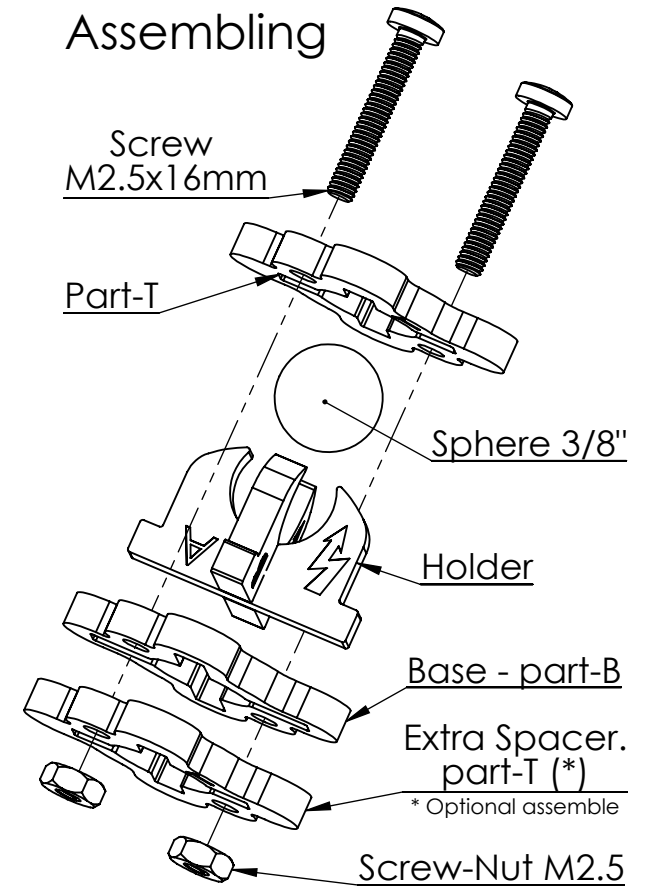
Extended Configuration



Standard Configuration



Assembling holes



	All dimensions in millimeters	ROBOCORE TECNOLOGIA	
Department:	Virtual store	TITLE:	
Project:	Ball Caster 3/8"	Robot Ball Caster 3/8"	
Project Resp:	Robocore Engineering		
Data:	2017		
Amount:	01		
MATERIAL:	Stainless Steel Ball Polymeric Support	# N°	001
WEIGHT:	7 grams	SCALE: 2:1	A4 Landscape
		Page 1 of 1	